

## PROJECT SUMMARY: MOOT HOSPITAL

*Installation of a  
air conditioning  
solar plant in  
Pretoria\**

**2009**

*\*Installed by Lufttechnik*



### **Presentation of the project:**

- Chiller: Yazaki WFC10, 35kW nominal cooling capacity
- Solar collectors: 52 Evacuated tube collectors (40\*U-tube and 12\*Heatpipe type for research purposes)
- Hot storage: 2\*6,000L vertical stratified tanks (optional PCM storage for research purposes)
- VSD pumps (pump speed based on cooling demand)
- Remote monitoring and control system

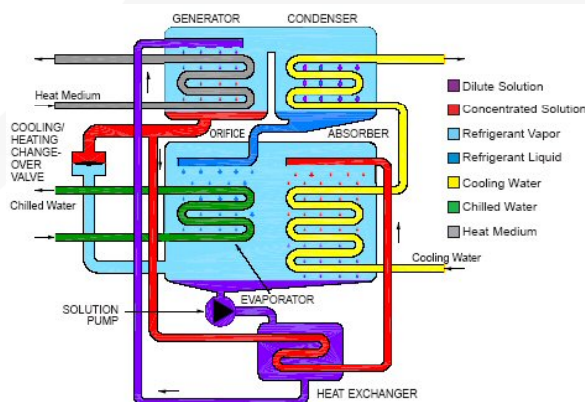
### **RESULTS**

The energy savings due to this project represent 51 % of the energy consumption used for water heating. This corresponds to :

**Return on investment: 9 years**

**IRR: 12/5%**

**Savings (20y): R 4.2 Millions**



Telephone: +27 (0)11 312 2430 Fax: +27 (0)11 312 0824

Unit 6, Capital Hill Commercial Estate, 73 Capital Commercial Park, Le Roux Avenue (Cnr. K101), Midrand  
Postnet Suite5, Bag X11, Birnham Park, 2015, Johannesburg, South Africa

Director: Cristian F. Cernat B.Sc.Eng (Mec)

Registration Number:

VAT Number: